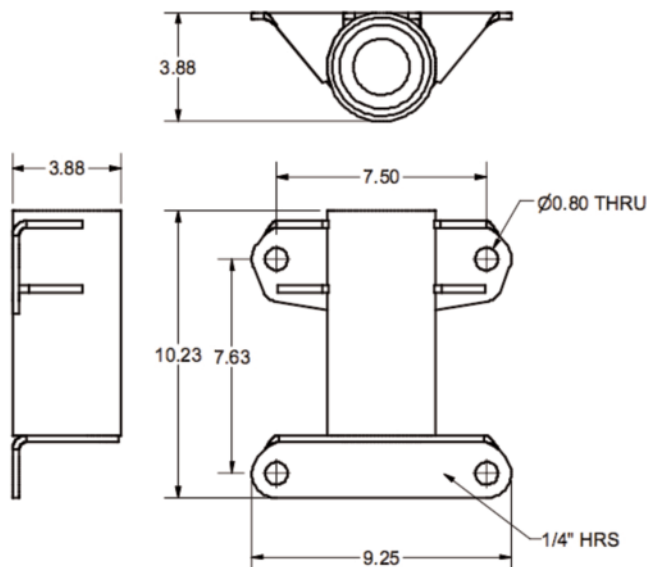




4 Point Wall Mount Base  
Designed to be used with Davit Arms



Product Code:  
30032

Conformance:  
BS EN 795 TYPE B

Weight:  
4.7kg

Mild Steel with CS-500 finish