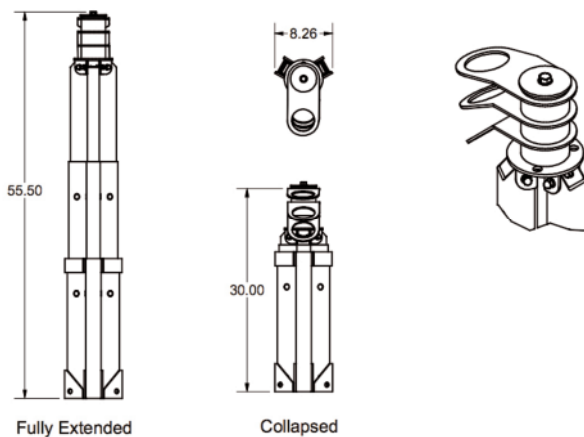


The Tri-Post provides 3 separate fall protection-rated anchor points in a lightweight portable package



Product Code:
30137

Conformance:
BS EN 795 TYPE B

Weight:
15kg

Suitable for up to 3 Users, each with a maximum weight of 140kg

Mild Steel with CS-500 finish