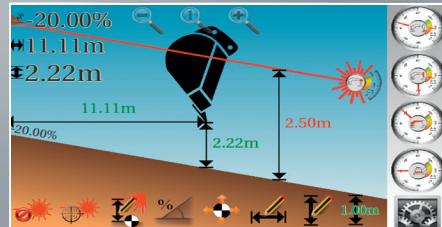
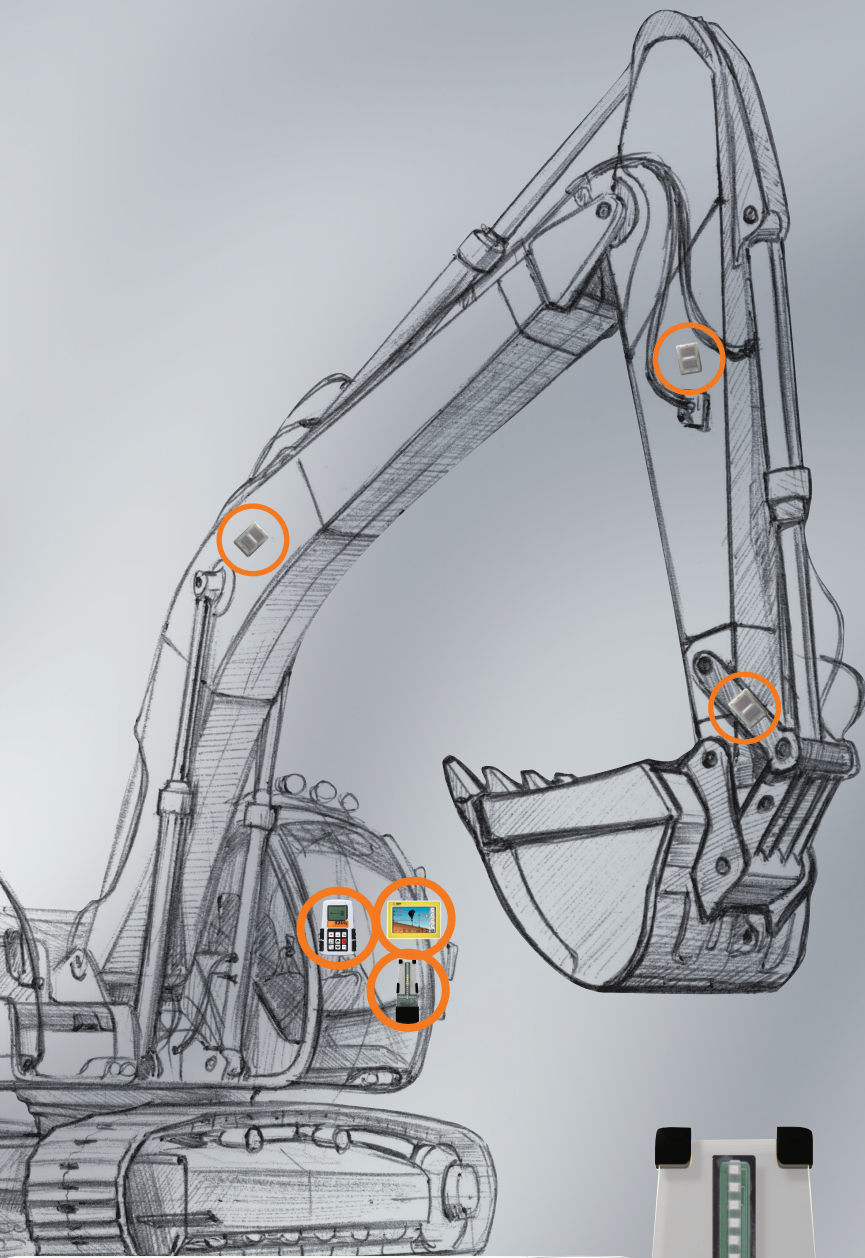


Excavator Guidance System EzDig S & T Series



Easy to learn, easy to use

- Always displays height and slope
- Intuitive graphical representation
- Simple one-touch menu display



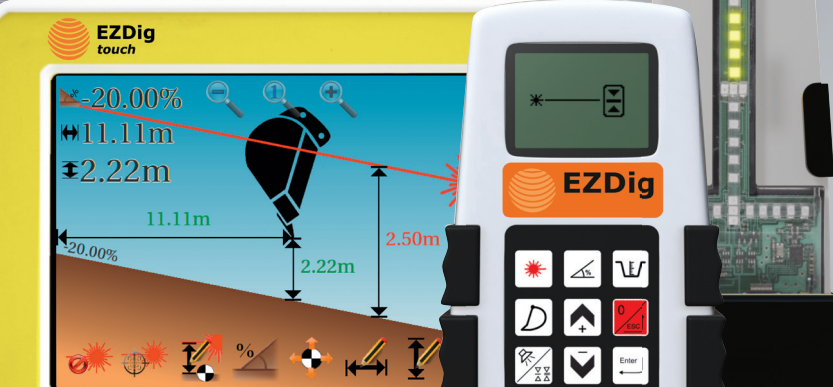
Easy to install

- Initial installation <1h
- Cable free system
- 5 min machine exchange



Easily fits any excavator

- Adapts to complexity and size
- Upgrades to complexity and size
- Wizard guided calibration



The new easy and accurate way to guide excavators

Excavator work has always been based on either intuitive guesswork or by using costly and difficult-to-install-and-operate machine control systems. GeoMax EzDig is the alternative.

Operating an excavator has mainly been based on guesswork. Does this look like a 1:2 slope? Is the depth of this trench 1.5m deep or will I hit the pipeline at 2.5m? Even with the help of batter rails and reference pegs roughly providing guidance, the job still remained at best a "good guess". Classic machine control systems are not an option because even if they provide you with all this information, they are expensive and time consuming to install and learn.

EzDig

The new GeoMax EzDig S and T excavator guidance system offers the easiest calibration and equipment operation available on the market – and at an affordable price. The EzDig excavator guidance systems "work when you do!"

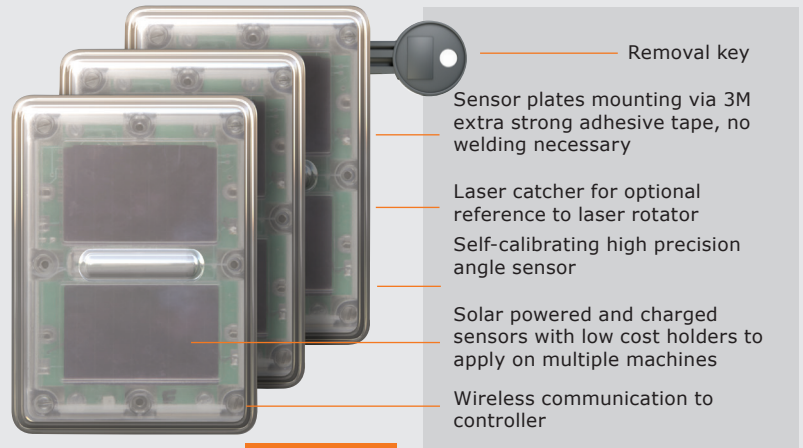
Benefits

1. No more overcutting, costly fill materials and rework

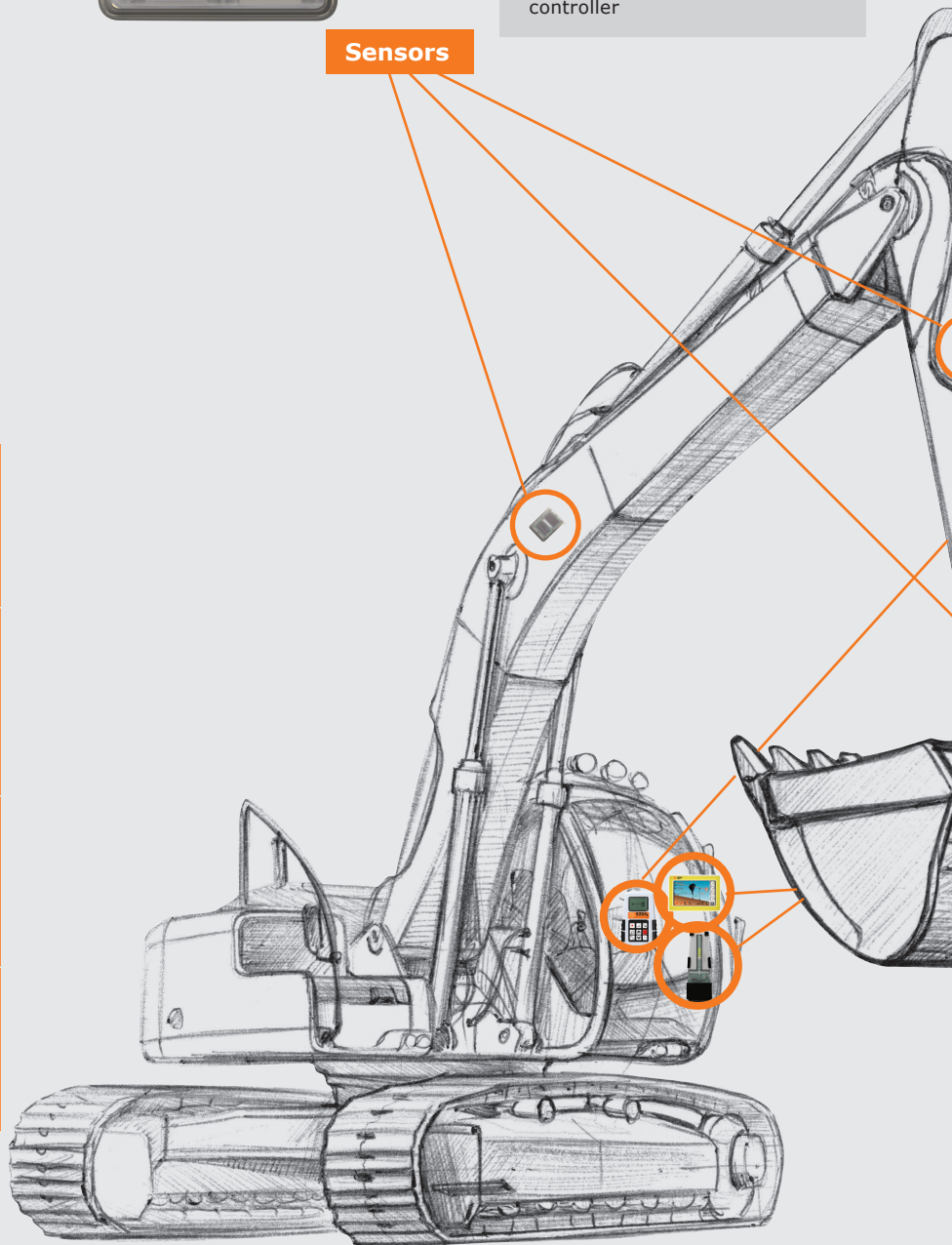
2. Eliminate checking and installation machine downtime

3. No more time consuming tape measurements

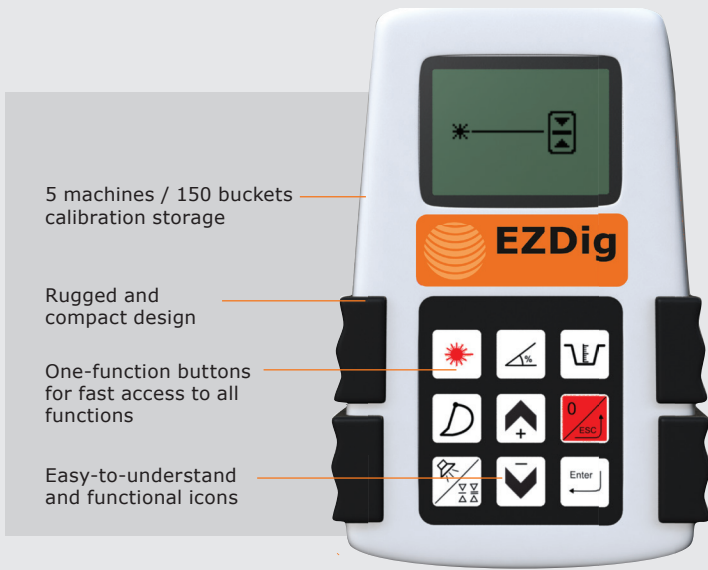
4. Save fuel, time and material



Sensors



1. Put the bucket teeth on the reference point
2. Enter desired depth, slope or distance into the control box
3. Follow the LED indications.. it's that simple!



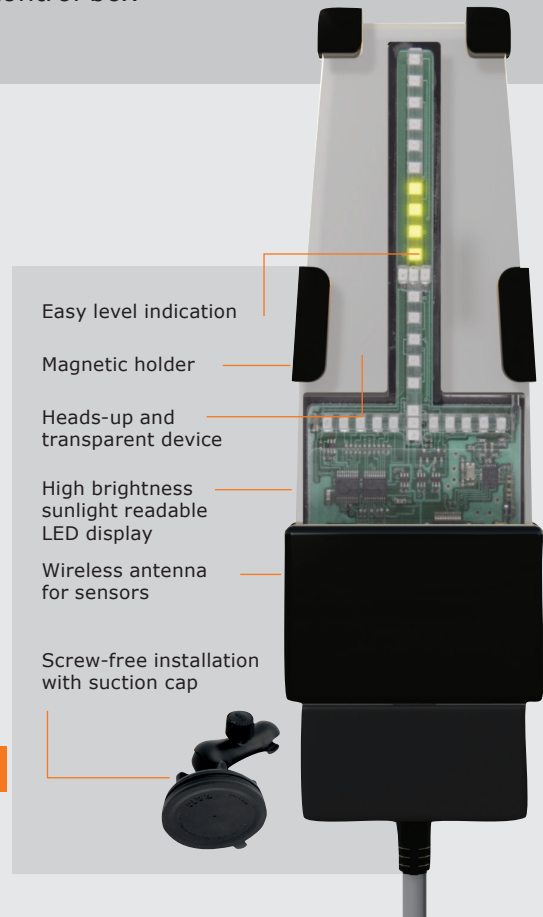
5 machines / 150 buckets calibration storage

Rugged and compact design

One-function buttons for fast access to all functions

Easy-to-understand and functional icons

STANDARD control unit



Easy level indication

Magnetic holder

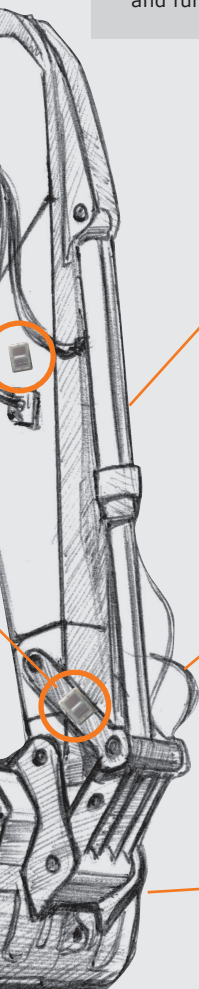
Heads-up and transparent device

High brightness sunlight readable LED display

Wireless antenna for sensors

Screw-free installation with suction cap

LED display



Calibration storage
100 machines / 10,000 buckets

Intuitive graphic representation

7" colour and touch screen

Video integration for help and FAQs

Functions at your fingertips

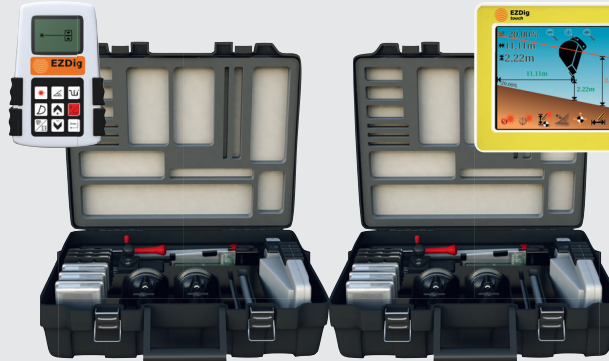
TOUCH control unit

Real-time indication



EzDig S & T Series

EzDig STANDARD includes a robust and easy-to-use receiver



EzDig TOUCH incorporates an intuitive and large colour and touchscreen receiver with integrated video

Technical specifications

	EzDig STANDARD	EzDig TOUCH
System power	12/28 V	
Angle sensor	Solar	
Battery charger	70x100x20 mm	
Dimension	282g	
Weight	IP67 Water and dust	
Protection	Digital 2.6" (10cm) 128x64 pixels	Touch 7" (18cm) 800x480 pixels
Control unit		
Screen size		
resolution		
Optional 2D sensor	N/A	2D Gyro sensor
Memory		
Machines number	5	over 100
Buckets number	10 per machine	over 100
Accuracy	+/- 7/16" - 1cm	
Operating temperature	-20° to + 70° (-4° to 158° F)	

Applications

- ✓ Footings
- ✓ Drainage
- ✓ Pipe laying
- * Embankments
- * Sport areas
- ✓ Foundations
- ✓ Trenches
- * Tank settings
- * Parking lots
- * Roadwork

* Only for straight line for single and dual slopes.



0515 - 834015 en
Copyright GeoMax AG. Illustrations, descriptions and technical specifications are not binding and may change.
All trademarks and trade names are those of their respective owners.



We are an internationally active company developing, manufacturing and distributing quality construction and surveying instruments at an outstanding price-to-performance. Our comprehensive product portfolio includes easy-to-use, yet highly productive range of total stations, GPS, lasers, optical and digital levels.



www.geomax-positioning.com
info@geomax-positioning.com

Works when you do